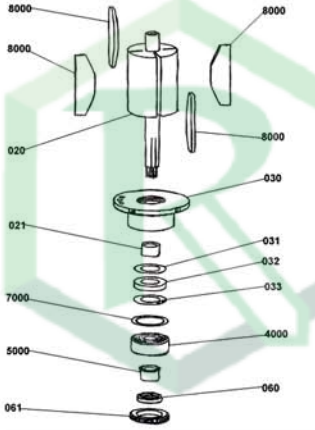
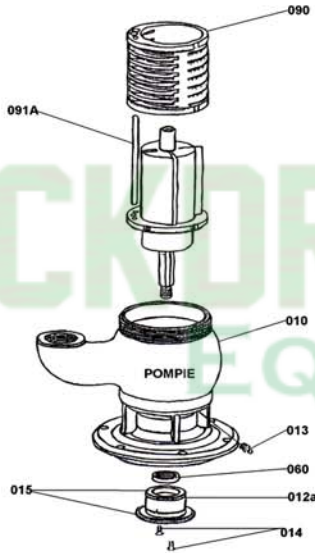


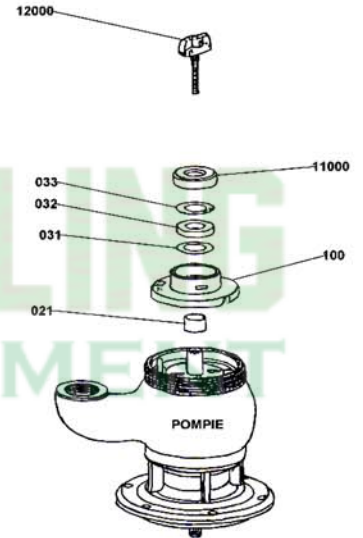
Pompie Pump Exploded View



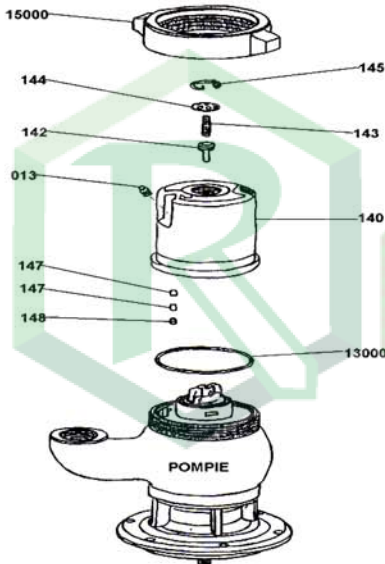
CODE	DESCRIPTION
020	ROTOR
021	ROTOR BEARING SPACER
030	FRONT END PLATE
031	ROTOR PACKING WASHER
032	ROTOR PACKING
033	ROTOR PACKING RETAINE
060	OIL SEAL
061	FRONT END LOCK NUT
4000	FRONT END BEARING
5000	IMPELLER SPACER
7000	ROTOR BEARING SPACER
8000	ROTOR VANE



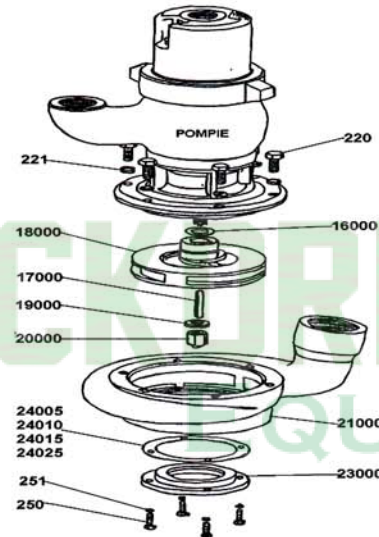
CODE	DESCRIPTION
010	MOTOR HOUSING
012A	HUB BUSH
013	GREASE FITTING
014	HUB BUSH SCREW
015	HUB BUSH O'RING
060	OIL SEAL
090	MOTOR CYLINDER
091A	CYLINDER DOWEL



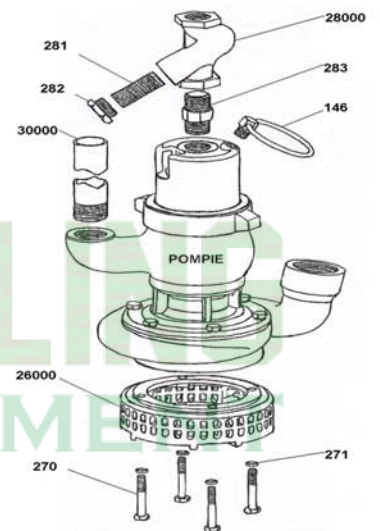
CODE	DESCRIPTION
021	ROTOR BEARING SPACER
031	ROTOR PACKING WASHER
032	ROTOR PACKING
033	ROTOR PACKING RETAINE
100	REAR END PLATE
11000	REAR END BEARING
12000	GOVERNOR ASSEMBLY



CODE	DESCRIPTION
013	GREASE FITTING
140	GOVERNOR HOUSING
142	VALVE
143	VALVE SPRING
144	SPRING RETAINER
145	RETAINER CLIP
147	FELT NIB
148	ADJUSTING JET
13000	MOTOR HOUSING GASKET
15000	HOUSING NUT



CODE:	DESCRIPTION:
220	VOLUTE SET SCREW
221	LOCKING WASHER
250	SUCTION SEAL SCREW
251	LOCKING WASHER
####	IMPELLER SHIM ASSEMBLY
####	IMPELLER KEY
####	IMPELLER
####	WASHER
####	NUT
####	VOLUTE
####	SUCTION SEAL
####	SUCTION SHIM BLUE
####	SUCTION SHIM BROWN
####	SUCTION SHIM PINK
####	SUCTION SHIM WHITE



CODE:	DESCRIPTION:
146	OIL PLUG
270	INLET SCREEN BOLT
271	LOCKING WASHER
281	FILTER CARTRIDGE
282	FILTER CAP
283	BARREL NIPPLE
26000	INLET SCREEN
28000	AIRLINE FILTER BODY ASS
30000	EXHAUST TUBE